

HELIOSHADE®

CASSETTE AWNING



HELIOSHADE
COLOUR DESIGN

*over 120 standard
frame colours*



 BEAUFORT WIND SCALE

Rated up to Category 6

 5 YEAR WARRANTY

 **helioscreen**[®]
Intelligent Sun Control Solutions[®]

THE NEXT GENERATION

THE AWNING THAT MEETS THE HIGHEST DEMANDS

The **Helioshade® Cassette** is the superior model of the **Helioshade®** series from Helioscreen. Using innovative German technology and stylish Italian design, it perfectly protects the awning fabric and its working parts from the harsh Australian environment with a fully closing cassette. Top quality materials including chromatised aluminium and marine grade stainless steel

screws, along with precision engineering down to the last detail ensure perfect functionality and durability. High strength extruded brackets guarantee a sound fixing, even on difficult facades. The **Helioshade® Cassette** can be fully automated with a sun and wind sensor.



1. THE CASSETTE

The elegantly formed **Helioshade® Cassette** with end caps of cast aluminium offers perfect protection from the elements.

3. THE ARMS

Tested and proven to well over 70,000 full cycles, the Multiflex 4-cable arm system is the strongest of its kind on the market.

STRONG ARMS – THE HEART OF THE AWNING

The **Helioshade®** articulated arm is characterised by its eye-catching design and convincing performance. All components have been developed to ensure smooth functioning and high durability, which have proved themselves in very demanding load tests. The use of high-quality aluminium profiles in combination with high-strength cast and drop-forged components stand for optimal

safety even under extreme load. The specially developed Multiflex power band is made up of four tear-resistant steel cables sheathed in a highly flexible plastic material protecting against corrosion. It applies the force of up to six spring movements in the arm sections and ensures proper tensioning of the awning, whilst still allowing flexibility during gusts of wind.





Building on many years of experience in the international market, the latest German technology and testing methods allow us to offer the **Helioshade® Cassette**, which excels in its attention to technical detail, functionality and appearance.

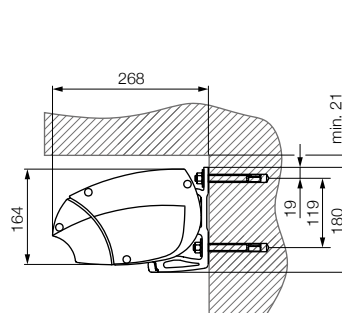
VARIOVALANCE

The **Helioshade® Cassette** is the first awning with a vertically adjustable valance that can easily be fitted after installation. The **Variovalance**, designed to complement the overall appearance of the awning, can be extended to 1,600mm offering additional privacy and protection from the setting/rising sun's glare.

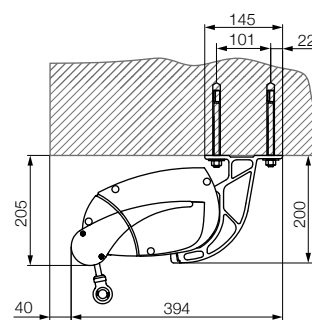


INSTALLATION OPTIONS

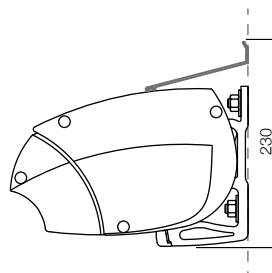
(dimensions in mm)



Wall/face mounting



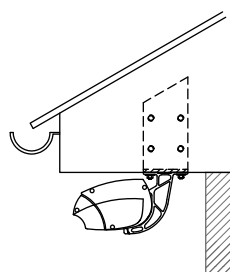
Ceiling/top mounting with a Variovalance



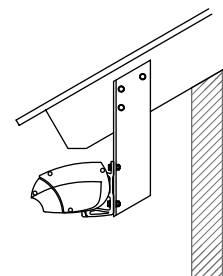
Wall gap profile

Optional extruded profile used to flash the cassette of the awning to the wall.

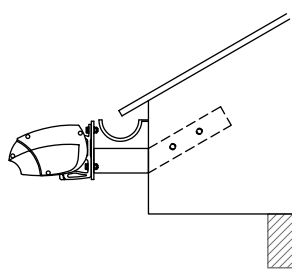
OTHER COMMON INSTALLATIONS



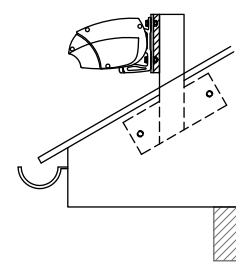
Soffit / under eaves



Exposed rafter installation



Fascia bracket installation



Roof mount

SYSTEM DETAILS

CASSETTE AWNINGS

Max width

8,000mm

Coupling system

Up to 12,000mm

Max projection

4,000mm

Installation angle

5-40°

Standard operation

Motor (gear unit & hand crank possible)

Fabric colours

Over 100 fabric colours

Standard frame colours

Over 120 Dulux & custom powdercoat colours

Premium frame colours

Over 50 Dulux Duratec & Electro commercial colours



HELIO SHADE[®] AWNINGS

UNMATCHED PERFORMANCE FOR COMMERCIAL APPLICATIONS

The Helioscreen team have a proven reputation for outstanding performance when it comes to commercial awning projects. Offering an extensive range of products with local support and next generation solutions for over a quarter of a century is why Helioscreen as a company is synonymous with quality and high-caliber service across Australia and New Zealand.

Using only the finest materials available from around the world each component is selected to exceed expectations. When coupled with precision engineering, innovation and the latest in advanced technology, Helioscreen awning systems have clearly proven to withstand the test of time.

Local assembly ensures precision results are made to order, and offers efficient turnaround times for production and after-market service. Production of our custom made textiles is done in-house with the latest innovative technology and we offer a choice of over 120 Dulux powdercoat colours at no extra charge. This guarantees the best aesthetic results for each system. Furthermore, commercial grade powdercoating is also available for prestigious projects.

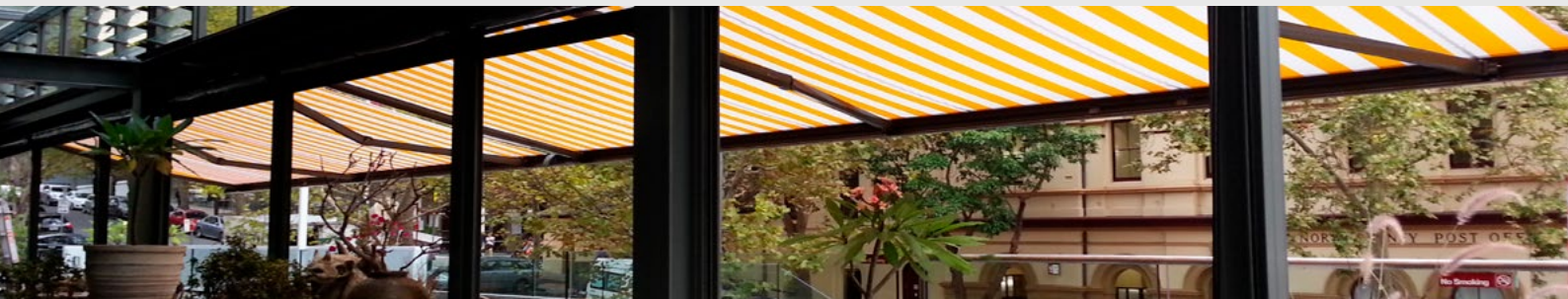
Used nationwide in landmark hospitality venues including bars, restaurants, hotels, clubs and renowned commercial buildings,

the Helioscreen range has been the selection of choice for many of Australia's leading architects, designers and builders over the past 25 years. Other commercial applications can be found at shopping centres, airports, apartment complexes, resorts, marinas, libraries, museums and universities.

Working to set new standards across our industry in functionality, performance and design, provides us with the opportunity to incorporate our intelligent sun control solutions towards long term sustainability by reducing energy consumption and contributing to an environmentally greener future.

Helioshade[®] external projects include:

Westfield Shopping Centre's, Coke-a-Cola Sydney, Melbourne Blood Bank, Cockel Bay Wharf, Jaguar Motors, Bupa Health, Toowoomba Shopping Centre, Barossa Valley Vineyards, Sydney University, Jones Bay Wharf, Audi Sydney, Virgin Lounge, Newcastle Hospital, Hastings St Noosa, St Josephs College Brisbane, Austereo Melbourne, Salthouse Cairns, Toyota Adelaide, Perth Library, Woolloomooloo Finger Wharf, Top Ryde Shopping Centre, Melbourne Rowing Club, Adelaide Oval, Northgate Hobart, VW, Darling Island Apartments, Stocklands and Harley Davidson.



HELIOSCREEN'S INDOOR AND OUTDOOR RANGE

- 90% Reduced Heat Radiation
- Windsensor Retractor
- 5 Year Warranty
- Powered by Somfy 5-year motor warranty

Includes: Roller Blinds, Roman Blinds, Panel Glides, Blackouts, External Screens, Awnings, External Venetians, and Retractable Roof Systems.



Scan QR code for more info

Helioscreen Australia Pty Ltd – Dealers Australia Wide

www.helioscreen.com.au | enquiries@helioscreen.com.au | Phone 1300 766 319


Intelligent Sun Control Solutions[®]