

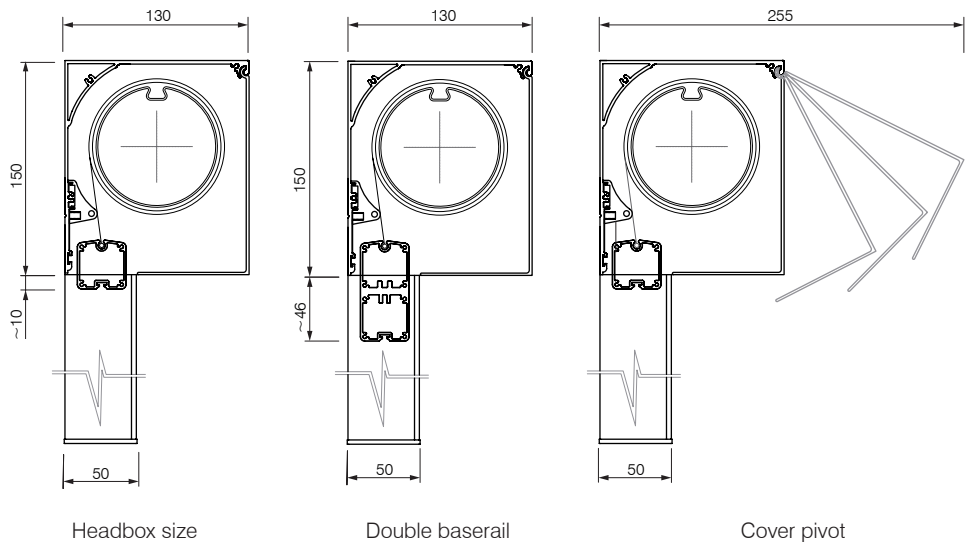
SYSTEM SPECIFICATIONS

| | |
|-------------------|---------------------|
| Minimum width | 770mm |
| Maximum width | 6000mm |
| Maximum drop | 4000mm |
| Maximum area | 20sqm |
| Linkable | No |
| Headbox | Yes |
| Fabric deductions | N/A zipper to edges |

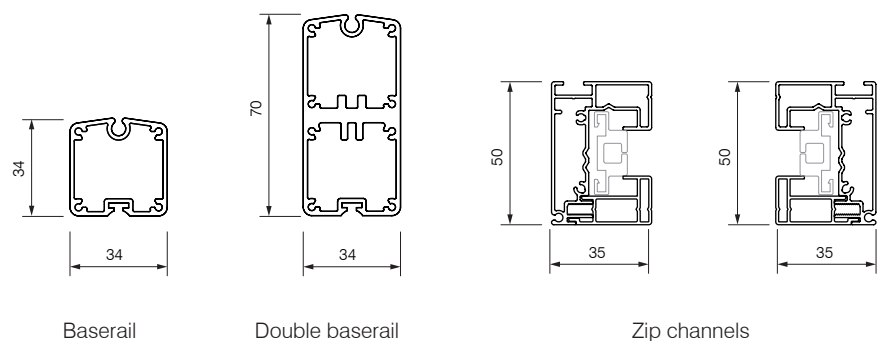
TECHNICAL INFORMATION

| | |
|----------------------|---|
| Headbox | Two part extruded aluminium headbox 130x150mm |
| End plates | Cast aluminium with zip channel connection sleeve |
| Roller tube | 80 / 85 / 95mm roller tube with zip reducers |
| Zip channels | Two part extruded guide channels 35x50mm |
| Installation options | Reveal or face fix installation variations |

System details



Zip channel & baserail sizes



HMX 130 ZIP

EXTERNAL ZIP BLIND 130x150mm HEADBOX

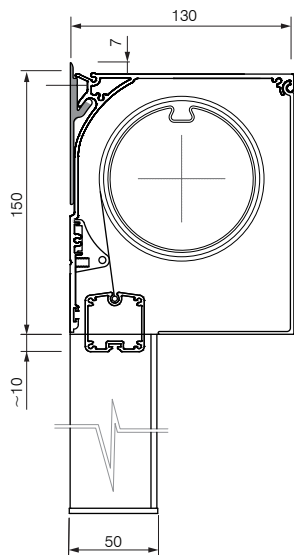


The Helioscreen **HMX 130 ZIP** is a unique and versatile external blind system.

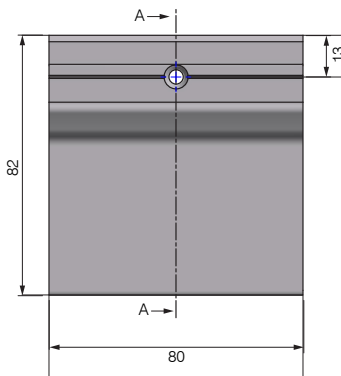
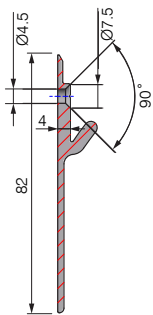
The zip guide channels hold the fabric laterally, removing gaps between the channel and the fabric, which increases stability and visual appeal.

Designed and engineered in Europe, this system features a sturdy 130x150mm headbox and allows many installation variations, including with optional headbox support brackets.

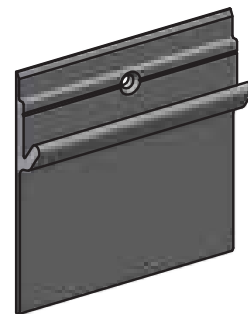
Optional headbox support plate details for widths over 5m



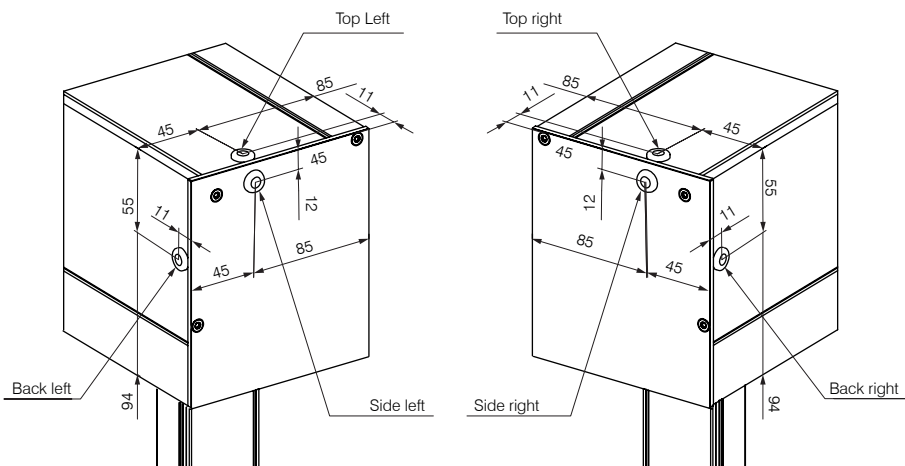
Headbox size



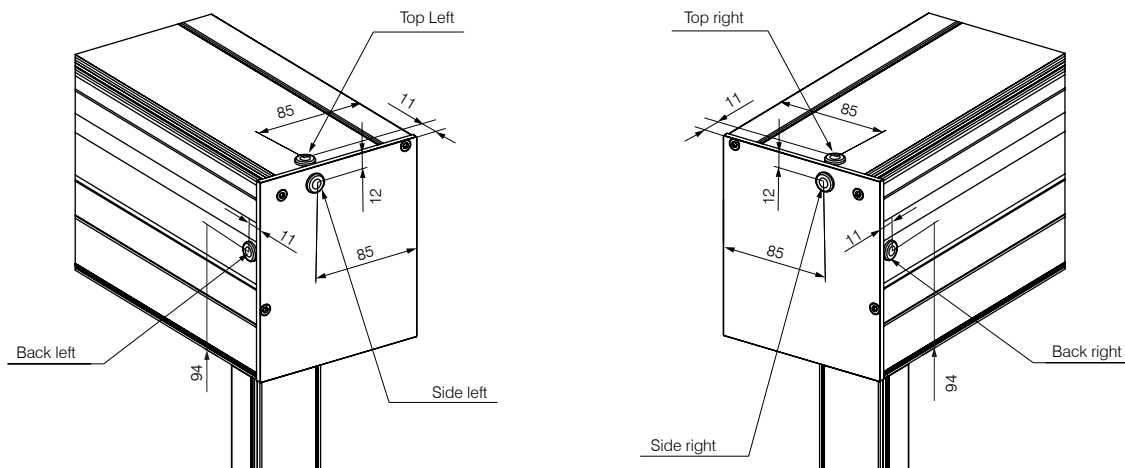
Support plate



Power cable exit options

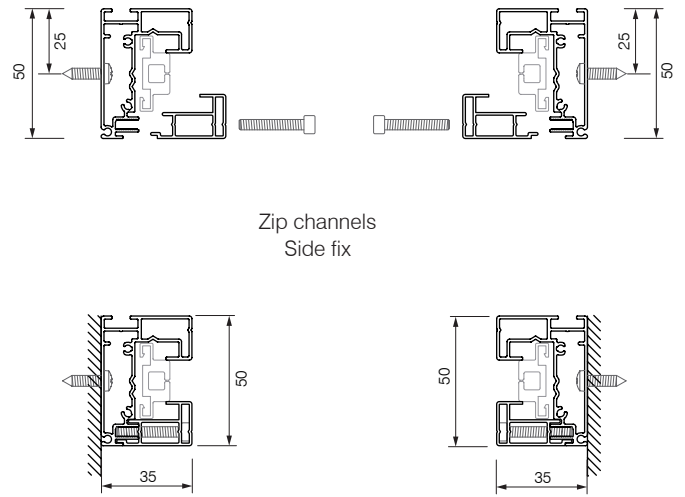
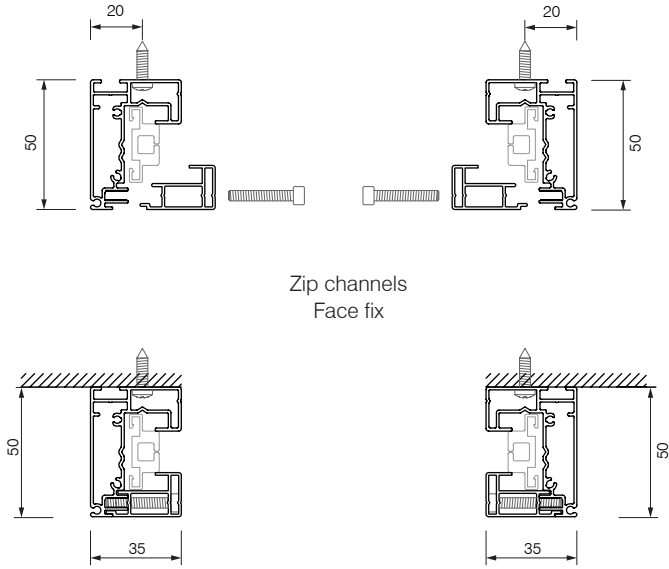


Power cable exit options with grooved back profile

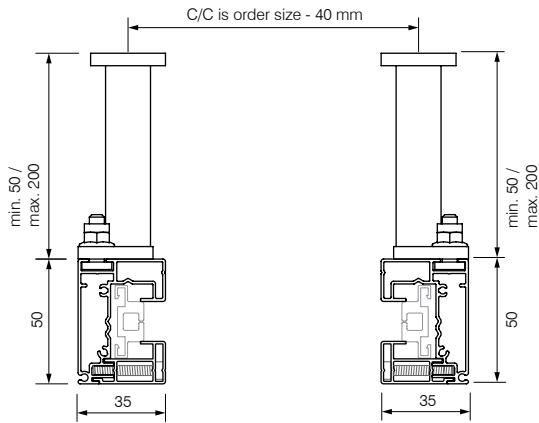


(Grooved back profile for systems over 5m wide when optional support plate is used)

Fixing options

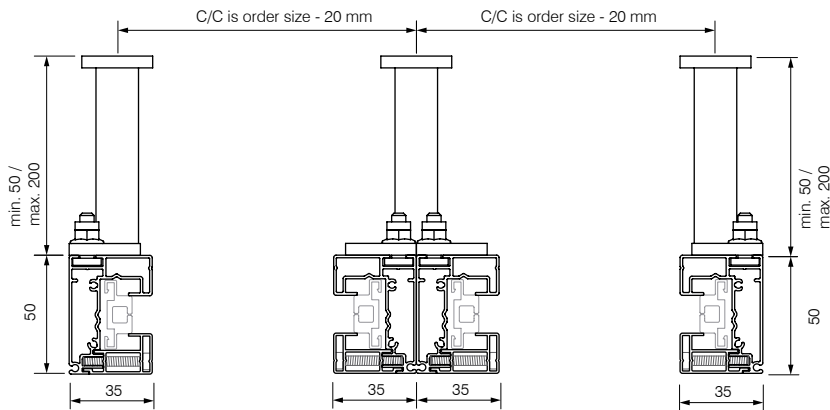
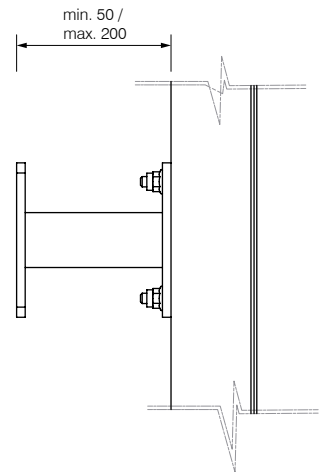


Channel stand-off brackets – detail



Single system details

Side view



Side-by-side system details